

## THE COST-EFFECTIVE SOLUTION

SECTORS



Poultry



Seafood



Meat & processed  
products

### ▲ Productive, efficient and adapted

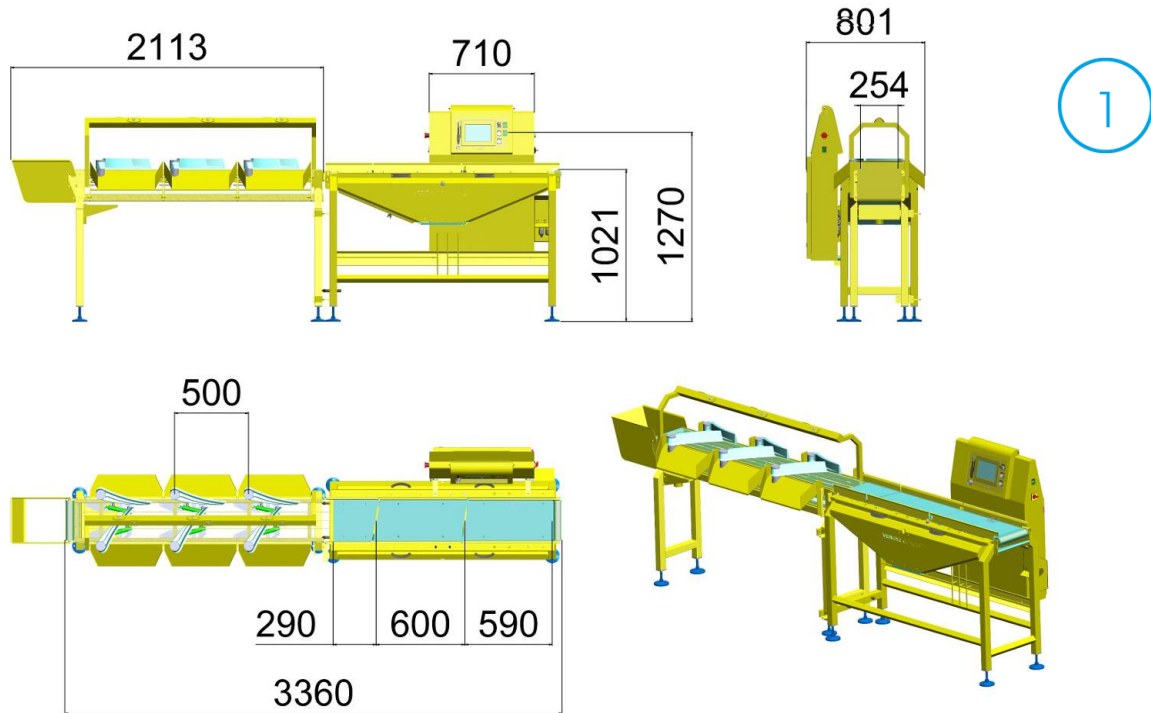
Composed of 3 to 8 ejection stations, in a left/right combination or in line, the CALIBRA CC improves **productivity and takes your pace constraints into account**.

Thanks to its product detection capability by photocells, the CALIBRA CC considers the specificities of your products (size, weight) and adapts itself to your production configuration.

The software is available in 5 languages: English, French, Spanish, Polish and Turkish.

### ▲ Specifications

	2x3 stations	2x4 stations	
TYPE	Length	3360 mm/132 in.	3860 mm/152 in.
	Weight	240 kg/530 lb.	260 kg/574 lb.
	Type of belt	Modular	Modular
	Width of belt	254 mm/10 in.	254 mm/10 in.
	Weighing bridge	600 mm/24 in.	600 mm/24 in.
	Number of ejection	6	8
	Type of ejection	Flippers	Flippers
	Type of receptacle	Ejection box	Ejection box
		Recovery box	Recovery box
		Large recovery box	Large recovery box
Guiding box for tray		Guiding box for tray	
PRODUCT	Stainless steel cabinet	Panel PC with 8.4 in. diag. touch screen	Panel PC with 8.4 in. diag. touch screen
	Precision	+/- 2 g (40-600 g)	+/- 2 g (40-600 g)
		+/- 5 g (600-1500 g)	+/- 5 g (600-1500 g)
		+/- 10 g (1500-4500 g)	+/- 10 g (1500-4500 g)
	Capacity	7200 products /hour	7200 products/hour
Product weight	40-4500 g	40-4500 g	



## Compact grader CALIBRA CC

Weighing conveyor QUARTZ 1600mm

Ejection conveyor 2x3 stations with guiding box and ejection box

### ▲ Ergonomic and practical

This compact grader is able to sort different products simultaneously in large quantities. The compact grader Vendée Concept has washing nozzles that provide **cleaning and cleanliness**. Furthermore, this equipment is **easy to install and turn on**.

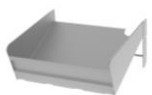
It is an economical grading solution with a maximum performance in minimum space.

### ▲ Compatible with Recup DC

Supplied with an operating license, the Recup DC software recovers production results in the form of computer files. At the end of each operation, you can get the following results: total of registered products, total weight, number and weight per item, average weight and standard deviation.

Vendée Concept also offers its Ubiquity access pack that enables remote problem resolution.

### ▲ Additional accessories CALIBRA CC



Recovery box



Ejection box



Guidance lighting



Big recovery box



Guiding box for tray



Guiding box