

## THE PRECISION CHOICE



### SECTORS



Poultry



Seafood



Meat and processed  
products

### ▲ Ultra weighing precision

The Vendée Concept QUARTZ checkweigher can propose an **optimal treatment of the products and a high weighing precision**. The QUARTZ checkweigher adapts itself to packaged products. The included software is available in 5 languages. The software insures a comparison of the products while respecting the target weight. This way, the products noncompliant to the expected weight are ejected thanks to a flipper or a blower. Its homologation certifies a **weighing variance of +/-0.5g or 0.179oz per product**.

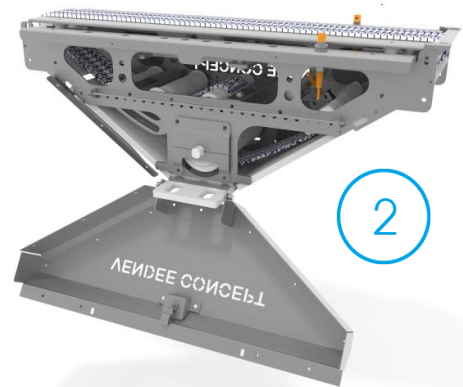
To optimize your production yield, the included software allows the grading and batching definition depending on 99 programs via the 8' touchscreen.

PRODUCT WEIGH	LNE EXIGENCES	VENDEE CONCEPT STANDARD DEVIATION
50 gr/0.1763oz	0.24	0.10
100 gr/0.1735oz	0.24	0.12
200 gr/0.1707oz	0.48	0.15
500 gr/1.134oz	0.80	0.25
1000 gr/2.268oz	0.80	0.40



### ▲ Specifications

PRODUCT TYPE		
PRODUCT TYPE	Weighing bridge length	1000 mm/39.37in
	Weight	145 Kg /0319LB
	Type of belt	Modular
	Width of belt	102 mm/4.01in
	Weighing pan length	600 mm/23.62in
	Precision	bylaw version +/- 0,5 g /0.17oz
	Capacity	10 000 products/hour
	Product weight	40-2500 g/0.14oz- 5LB 8.18oz
	Guides	50/100/150 mm / 1.97in/3.94in/5.90in



1 Checkweigher CALIBRA T QUARTZ  
Ejection conveyor with a pusher

2 Open weighing bridge

## ▲ Hygienic system

The Vendée Concept sorter design has been studied for a **rapid cleaning**. The bridge opening insures an access to the belt winding system.

More than the hygienic conception, **the component quality guarantees a resistance to the power washing**.

## ▲ Compatible with the Supervisor

The checkweigher is a rapid and precise way to control the product weight conformity.

The Vendée Concept Supervisor insures the data recovery and exploitation on Excel and PDF.

## ▲ Exemples of accessories CALIBRA T QUARTZ

- ▶ Metal detector
- ▶ Ejection conveyor by flipper, pusher and blower

