



## THE NEW GENERATION BI-LINE GRADER

SECTOR



Seafood

### ▲ Precision and rapidity

The new generation bi-line oyster grader promises weighing **precision and rapidity**.

The output of **10 000 oysters/hour/line** respects your oysters' fragility thanks to an adequate ejection. The materials adapted to the oyster-farming sector warrant the in wet area weighing efficiency.

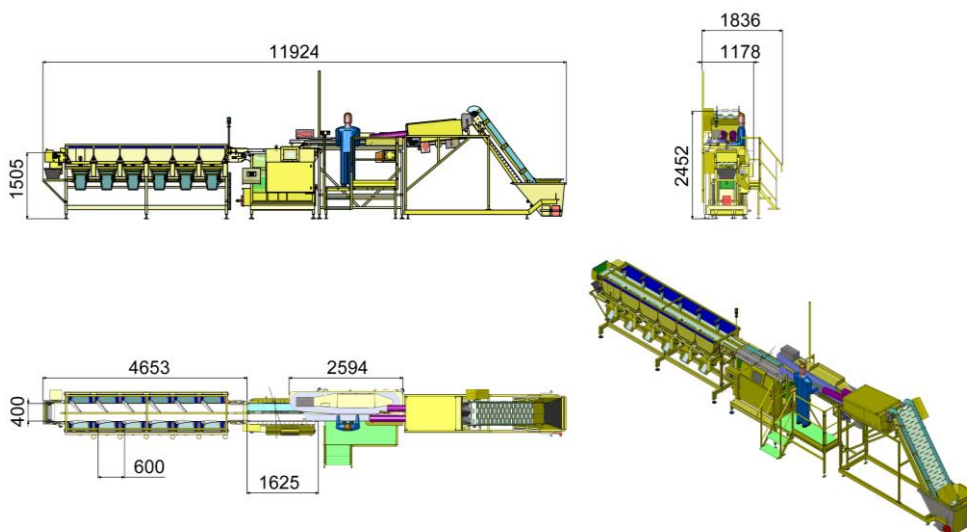
The bi-line grader offers **specifics to oyster-farming sector sorting capacities**.

The grader is composed of:

- ▶ Elevator belt with cleats
- ▶ Aligning pipe
- ▶ One person timer with fixed platform
- ▶ New generation weighing bridge
- ▶ Ejection conveyor with reception channels and automatic traps

### ▲ Specifications

PRODUCT MODEL	Length	11 950 mm
	Belt type	Flat or modular belt
	Belt width	400
	Weighing bridge	600
	Number of ejection	6-7
	Type of ejection	Flippers
	Type of receptacle	Recuperation channels
	Steel cabinet	Panel PC 8"
	Precision	-/+ 2g/0lb 0.07oz
	Output	10 000 products/line/h
Product weight	20g/0lb 0.70 mini - 250g/0lb 8.81 maxi	



1

## Bi-line oyster grader 2833

Weighing bridge QUARTZ 1600mm  
Ejection conveyor 2x6 stations

## ▲ Software

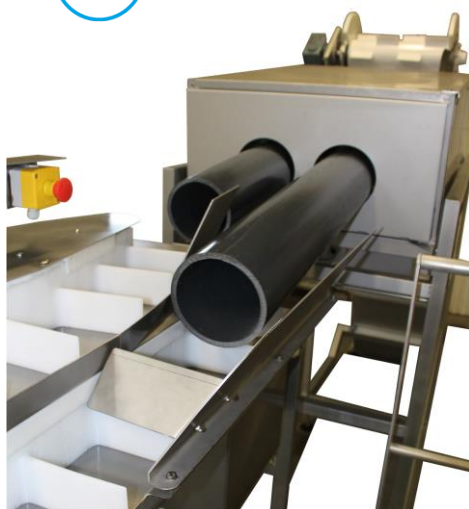
The new generation bi-line oyster grader has an integrated software. **That gives you the possibility to define your weights under 99 different programs**, which insure a great number of choices to control your production.

The data visualizations are in real time and you have the possibility to save your production results. The graders' software is available in 5 languages: English, French, Spanish, Polish and Turkish.

1



2



3



1

Reception tank in water  
and elevator belt with  
cleat

2

Aligning pipe

3

New generation  
weighing bridge